



**Smart lift**  
SL 780  
Outdoor Giant

Product information and specifications

# Smart lift SL780 Outdoor Giant

## STANDARD EQUIPMENT

- For rough terrain with frontwheel drive and big wheels. Electronic brake
- Side shift for exact adjustment of the window
- Remote control for all hydraulic functions
- Waterproof according to ip65
- 2 vacuum circuits with 2 pumps
- Lifting height 4200 mm (centre of yoke)
- Manoevrable with dual rear wheels
- Hydraulic movements in all directions

## DIMENSIONS



Width (min) .....	<b>1010 mm</b>
Length (min) .....	<b>2820 mm</b>
Extention of arm .....	<b>830 + 830 mm</b>
Side shift .....	<b>100 mm</b>
Lifting capacity arm in/extended .....	<b>850 kg /270 kg</b>



Height .....	<b>1300 mm</b>
Liftingheight.....	<b>4600 mm</b>



Propelling engine .....	<b>500 Watt</b>
Battery (4 x 12 V) 24 Volt .....	<b>4 x 134 A AGM</b>
Running period .....	<b>Approx. 8 hours</b>
Charging time .....	<b>Approx. 10 hours</b>
Voltage charger .....	<b>230 volt</b>
Front-wheel drive .....	<b>2000 Watt - AC</b>

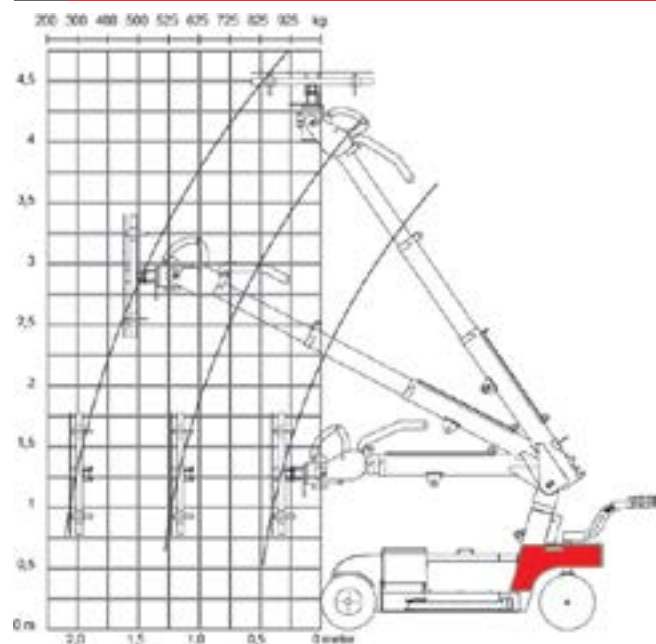


Vacuum system .....	<b>2 circuits</b>
Suction pads .....	<b>4 x Ø400 mm ; 2 x Ø 300 mm</b>
Automatic suction .....	<b>Yes</b>
Brake .....	<b>Electric</b>
Automatic suction .....	<b>2 vacuum pumps</b>
Suction pads .....	<b>4 stk. Ø 300 mm</b>
Speedregulation .....	<b>Stepless high / low</b>



Weight .....	<b>700 kg</b>
--------------	---------------

## LOADING DIAGRAM



[www.instant.no](http://www.instant.no)

**INSTANT**

**Norway**

Tel.: +47 23 19 11 00  
info@instant.no

**Lithuania**

Tel.: +370 5 233 1096  
info@instant.lt

**Latvia**

Tel.: + 371 263 58 152  
info@instantlatvija.lv

**Estonia**

Tel.: +372 680 76 33  
info@instant.ee